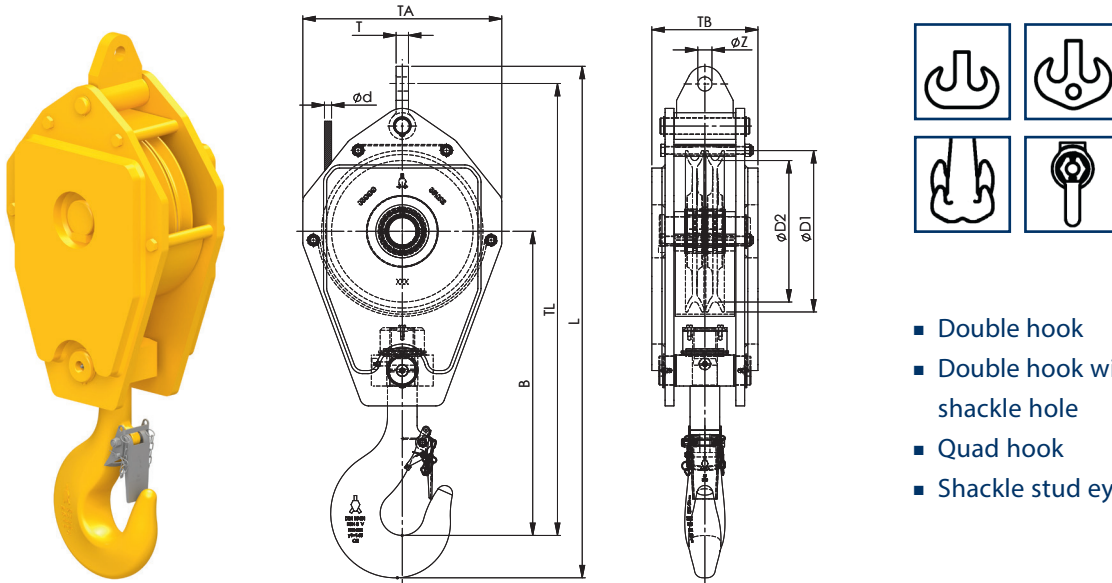


Standard Reeve Crane Blocks

2 sheaves



- Double hook
- Double hook with shackle hole
- Quad hook
- Shackle stud eye

Model Nr.	WLL UStons	For wire ød inch	Hook size	Dimensions (inch)										Weight lbs
				øD1	øD2	B	O	TA	TB	TL	L	T	øZ	
SRB 225.xx.2.16.E	17,6	3/8 - 1/16	6	11.8	10.2	23.3	2.8	15.7	6.5	34.6	39.5	TBD	TBD	240
SRB 260.xx.2.16.E	17,6	7/16 - 3/8	6	11.8	10.2	23.3	2.8	15.7	6.5	34.6	39.5	TBD	TBD	285
SRB 260.xx.2.20.E	22	7/16 - 5/8	8	11.8	10.2	26.7	3.1	15.7	6.5	37.9	43.1	TBD	TBD	285
SRB 285.xx.2.16.E	17,6	1/2 - 3/4	6	12.6	11.0	23.9	2.8	16.5	6.5	35.7	40.7	TBD	TBD	210
SRB 285.xx.2.20.EA	22	1/2 - 3/4	8	12.6	11.0	26.3	3.1	16.5	6.5	38.1	43.4	TBD	TBD	285
SRB 285.xx.2.20.EB	22	1/2 - 3/4	8	12.6	11.0	26.3	3.1	16.5	7.7	38.1	43.4	TBD	TBD	330
SRB 320.xx.2.20.E	22	5/16 - 3/4	8	14.4	12.6	27.1	3.1	17.7	7.7	39.8	45.1	TBD	TBD	350
SRB 320.xx.2.22.E	24	5/16 - 3/4	8	14.4	12.6	27.1	3.1	17.7	7.9	39.8	45.6	TBD	TBD	350
SRB 320.xx.2.25.E	27,5	5/16 - 3/4	8	14.4	12.6	27.1	3.1	17.7	9.4	39.8	45.1	TBD	TBD	450
SRB 355.xx.2.29.E	32	5/16 - 7/8	8	16.1	14.0	28.1	3.1	19.7	9.6	41.9	47.4	TBD	TBD	550
SRB 400.xx.2.29.E	32	5/8 - 1	8	18.1	15.7	29.3	3.1	22.4	9.8	44.4	50.1	TBD	TBD	705
SRB 450.xx.2.40.E	45	3/4 - 1 1/8	12	20.3	17.7	35.2	3.9	23.6	13.1	52.0	58.1	TBD	TBD	1210
SRB 450.xx.2.50.E	55	3/4 - 1 1/8	16	20.3	17.7	35.2	4.4	23.6	13.1	52.0	59.6	TBD	TBD	1210
SRB 528.xx.2.64.E	70	7/8 - 1 1/4	16	23.4	20.8	39.5	4.4	28.0	15.9	58.4	65.9	TBD	TBD	2155
SRB 528.xx.2.80.E	88	7/8 - 1 1/4	20	23.4	20.8	43.7	4.9	28.0	16.3	62.6	71.2	TBD	TBD	2200
SRB 670.xx.2.100.E	110	1 - 1 3/8	20	29.9	26.4	49.5	4.9	34.3	19.8	71.7	80.6	TBD	TBD	4930

NOTE xx = To be replaced by metric wire size in final part number ■ TBD = These dimensions vary with wire size

Minimum Ultimate Strength = 4 x WLL

- The dimensions in this table are indicative only. A drawing will always be submitted prior to production and will be the leading document when discussing dimensions.
- Blocks shown here are standard models; inquiries for custom versions are welcome.
- Refer to wire rope manufacturers D/d ratio guideline.
- Hook locking pin included on all blocks 40M ton and higher